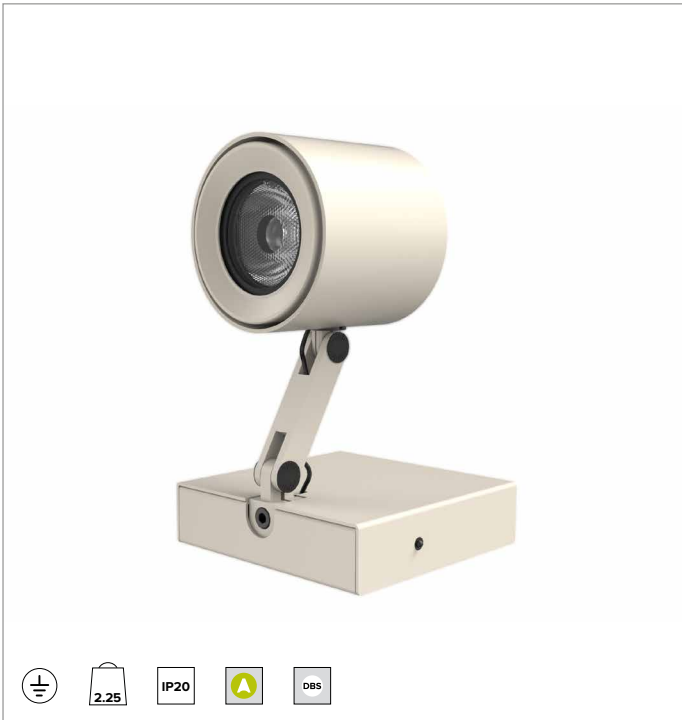
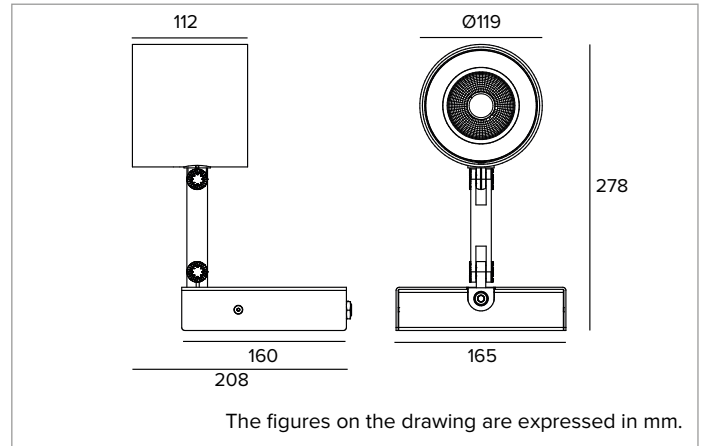


T045DBS927FW | CORO 120**Professional adjustable LED projector for wall or cornice installation with a variable light beam opening**

The fixture's photometric values
can be found on the following pages

**SOURCE**

High efficiency Chip on Board LED Ra90.

Energy efficiency class: E

Nominal power: 25W

Nominal flux: 2841lm

Colour rendering index: 90

Rf: 92

Rg: 99

CCT nominal: 2700K

Lifetime (L80/B10): >50000h tq +25°C

ILLUMINOTECHNICAL CHARACTERISTICS

DBS version: hybrid optical system composed of a specular anodised aluminium reflector, optical glass lens, lens holder in black PPS, Lens Vector lens (liquid crystal glass lenses that are electronically controlled to regulate the light diffusion and the beam opening from SP to WFL).

Optic: DBS

Beam angles: SP-WFL

Optical efficiency: See photometries

Fixture flux: See photometries

Luminous efficacy: See photometries

Photobiological safety: Compliant with RG1 low risk group

MECHANICAL CHARACTERISTICS

Die-cast aluminium housing. Powder coated aluminium front ring and joints. Passive heat sink cooling system. Optical unit adjustability: +/-165° on the horizontal plane and 180° on the vertical plane with the possibility of mechanical aiming locking through single knob for both aiming locks. Pre-set for additional accessories. Articulated arm adjustable of 180° on the vertical plane. Graduated references at the articulated joints.

Colour and finish: Florentine white

Weight: 2.25Kg

Version: LONG ARM

Degree of protection: IP20

ELECTRICAL CHARACTERISTICS

DBS version: complete with driver and Casambi control system (Casambi Ready).

Fixture Power: 30W

Power supply: 110-240Vac 50/60Hz

Insulation Class: CLASS 1

Type of driver / Control: CASAMBI

Driver included: YES

Class F: YES

Ambient temperature: 0°C / +25°C

INSTALLATION

DBS version: complete with base for surface mounting.

NOTES

Commissioning of the control system via free APP; the intervention of a specialist technician can be quoted on request.

WARRANTY

5 years.

Due to the technological evolution of the electronic components, the data provided may be updated, and as such, confirmation must be requested during the order process.

Luminous flux and power supply have +/-10% tolerances with respect to the indicated value. tq +25°C (CIE 121).

We reserve the right to make technical changes.

Targetti Sankey S.r.l.
Via Pratese, 164
50145 Firenze - Italy
Tel: +39 055 37911
targetti.com
targetti@targetti.com

CCIAA Firenze
Share Capital:
€ 500.000,00
VAT N. (IT):
01537660480
R.E.A: FI-275656

TARGETTI

T045DBS927FW | CORO 120
Professional adjustable LED projector for wall or cornice installation with a variable light beam opening



	2700K	H(m)	D(m)	Emax(lx)		
	Ra90		18°			
Fixture Power	30W	1	0.32	12742		
Source Flux	2841lm	2	0.64	3186		
Fixture Flux	1837lm	3	0.97	1416		
Efficacy	61lm/W	4	1.29	796		
TS2018	I _{max} =4485cd/klm	I _{max}	12742cd	5	1.61	510



	2700K	H(m)	D(m)	Emax(lx)		
	Ra90		53°			
Fixture Power	30W	1	1.00	1593		
Source Flux	2841lm	2	1.99	398		
Fixture Flux	1709lm	3	2.99	177		
Efficacy	57lm/W	4	3.99	100		
TS2019	I _{max} =561cd/klm	I _{max}	1593cd	5	4.99	64

SP

Fixture flux 1837lm
 Luminous efficacy 61lm/W
 Optical efficiency 65%

WFL

Fixture flux 1709lm
 Luminous efficacy 57lm/W
 Optical efficiency 60%

Due to the technological evolution of the electronic components, the data provided may be updated, and as such, confirmation must be requested during the order process. Luminous flux and power supply have +/-10% tolerances with respect to the indicated value. tq +25°C (CIE 121).

Targetti Sankey S.r.l.
 Via Pratese, 164
 50145 Firenze - Italy
 Tel: +39 055 37911
 targetti.com
 targetti@targetti.com

CCIAA Firenze
 Share Capital:
 € 500.000,00
 VAT N. (IT):
 01537660480
 R.E.A.: FI-275656



We reserve the right to make technical changes.

T045DBS927FW | CORO 120**Professional adjustable LED projector for wall or cornice installation with a variable light beam opening****Accessories****Emergency Kit**

Code

A059

Emergency kit composed of an inverter a LiFePO4 battery and a LED Green indicator.
Allows permanent EP emergency use of the fixture it is connected to.

The 1h or 3h autonomy can be selected by configuring the fixture.

The batteries take 12h to completely recharge.

LED Green indicator wired to the inverter through single-core cables L= 800mm.

Emergency kit for fixtures that comply with EN 60598-2-22 standard, high risk areas excluded.

Battery size 160x54x30 mm.

Inverter size 165x40x25 mm.

Due to the technological evolution of the electronic components, the data provided may be updated, and as such, confirmation must be requested during the order process.

Luminous flux and power supply have +/-10% tolerances with respect to the indicated value. tq +25°C (CIE 121).

We reserve the right to make technical changes.

Targetti Sankey S.r.l.
Via Pratese, 164
50145 Firenze - Italy
Tel: +39 055 37911
targetti.com
targetti@targetti.com

CCIAA Firenze
Share Capital:
€ 500.000,00
VAT N. (IT):
01537660480
R.E.A: FI-275656

TARGETTI